

UV430A 4K Ultra HD NDI PTZ Camera

The UV430A series 4K ultra HD camera offers perfect functions, superior performance and rich interfaces. The features include advanced ISP processing algorithms to provide vivid images with a strong sense of depth, high resolution, and fantastic color rendition.



Key Features

- **4K Ultra HD Image:** Built with SONY high quality CMOS sensor, with resolution up to 4K@60fps.
- **Optical Zoom Lens**
12x optical zoom lens, with 80.4° FOV without distortion.
- **Leading Auto Focus Technology**
Fast, accurate and stable auto focus is achieved with leading auto focus algorithm.
- **Low Noise and High SNR**
Super high SNR image is achieved with low noise CMOS. The adoption of advanced 2D/3D noise reduction technology further reduces the noise while ensuring high image clarity.
- **Multiple video output interfaces**
With video 4k output from HDMI, USB3.0 and LAN at the same time.
- **Multiple Audio/Video Compression Standard**
Support H.264/H.265 video compression over LAN, support MJPG, H.264, YUY2 and NV12 over USB3.0 port, support AAC, MP3 and G.711A audio compression over A-in port.
- **Audio Input Interface**
Support 8000,16000,32000,44100,48000 sampling frequency and AAC,MP3,PCM audio coding.
- **Multiple Network Protocol**
Support ONVIF, GB/T28181, RTSP, RTMP, **NDI** protocols; support RTMP push mode, which can easily link with streaming media server (Wowza, FMS); support RTP multicast mode, support VISCA control protocol over Network.
- **Multiple Control port**
RS422 (work with RS485), RS232 IN/OUT
- **Multiple Control Protocols**
Support VISCA, PELCO P/D protocols
- **Multiple Presets**
Support up to 255 presets (10 presets by remote controller)
- **Wide Application**
Tele-education, Lecture Capture, Webcasting, Videoconferencing, Tele-training, Tele-medicine, Interrogation and Emergency command systems

Technical Specification:

Model Number	UV430A
Camera/ Lens Parameters	
Image Sensor	1/2.5 Inch SONY High Quality 4K CMOS Sensor
Effective pixels	8.51MP effective pixels, 16:9
Video Format	<p>HDMI video output format: 4KP@60fps,4KP@50fps,4KP@30fps,4KP@25fps,1080P@60fps,1080P@50fps,1080I@60fps,1080I@50fps,1080P@30fps,1080P@25fps,720P@60fps,720P@50fps;</p> <p>USB3.0 video output format: YUY2/NV12:1920×1080P30fps,1280×720P30fps,1024×576P30fps, 960×540P30fps,800×448P30fps,640×360P30fps,640×480P30fps,320×176P30fps MJPEG/H.264:3840×2160P30fps,1920×1080P30fps,1280×720P30fps,1024×576P30fps, 960×540P30fps,800×448P30fps,640×360P30fps,640×480P30fps,320×176P30fps</p> <p>USB2.0 video output from USB3.0</p>

Phone:+86-17771843647

Tel:+86-755-33288582

E-mail:claire@minrgricctv.com

Web:www.minrraycam.com

Address: 5&6 Floor,Building 13-A,ZhongHaiXin Technology Park,Ganli Road,Lilang Avenue,Buji,Shenzhen 518112,China



Shenzhen Minrray Industry Co.,Ltd.

	YUY2/NV12: 640×360P30fps,640×480P30fps,320×176P30fps MJPEG/H.264: 3840×2160P30fps,1920×1080P30fps,1280×720P30fps,1024×576P30fps,960×540P30fps,800×448P30fps,640×360P30fps,640×480P30fps,320×176P30fps
Optical Zoom	12X
View Angle	Horizontal: 7.59° (tele) ~80.4° (wide) Tilt:4.6° (tele) ~50.0° (wide)
Focus	f=3.85 mm~ 43.06 mm ±5%
Aperture	F1.8 ~ F3.56±5%
Minimum Illumination	0.05Lux(F1.8, AGC ON)
DNR	2D &3D DNR
White Balance	Auto /Manual/ One Push/ Specified color temperature
Focus	Auto /Manual/ One Push
Exposure mode	Auto /Manual / Shutter Priority / Iris Priority / Whiteness Priority
Iris	F1.8 ~ F11、CLOSE
Shutter Speed	1/25~1/10000
Dynamic range	OFF/ Dynamic level adjustment
BLC	ON/ OFF
Video Adjustment	Brightness, Color, Saturation, Contrast, Sharpness, B/W mode, Gamma curve
DNR	≥50dB

Other Parameters	
Store Temperature	10,6~+60°C RS232(in & out), RS422(work with RS485), Rotary dial switch, DC12V, power on
Image Code Stream	Dual Streaming
Video Compression Format	LAN:,H.264, H.265 USB3.0: MGP, H.264, YUY2, NV12
Audio Input Interface	A-IN, Double track 3.5mm linear Input
Audio output interface	HDMI, LAN(POE), USB3.0
Audio Compression Format	AAC/MP3/ G.711A
Network Interface	10m/100/1000M adaptive Ethernet port, support POE and audio/video output
Network Protocol	Support RTSP, RTMP, ONVIF, GB/T28181, NDI, Network VISCA Control Protocols, Support remote upgrade, reboot and reset
Control Interface	RS232(in & out), RS422(work with RS485)
Serial communication protocol	VISCA/Pelco-D/Pelco-P, support baud rate 115200/38400/9600/4800/2400
USB Communication Protocol	UVC (video),UAC (audio)
Power Interface	HEC3800 (DC12V)
Power Adaptor	Input: AC110V-AC220V Output: DC12V/1.5A
Input Voltage	DC12V±10%
Input Current	1.5A
Power Consumption	<12W
PTZ Parameters	
Pan Rotation	-110° ~ +110°
Tilt Rotation	-30° ~ +30°
Pan Control Speed	0.1- 100 %sec
Tilt Control Speed	0.1-70 %sec
Preset Speed	Pan: 100 %SEC, Tile: 70 %SEC
Preset Number	255 Points Preset (10 presets by remote controller)

Phone:+86-17771843647

Tel:+86-755-33288582

E-mail:claire@minrraycam.com

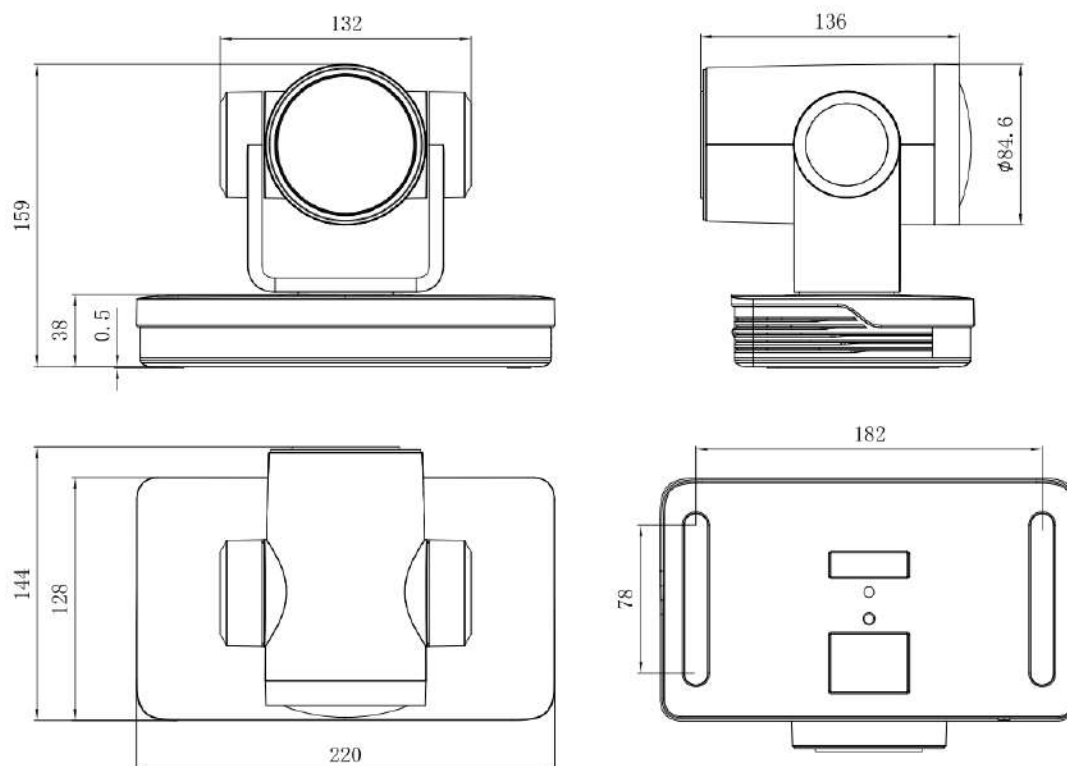
Web:www.minrraycam.com

Address: 5&6 Floor,Building 13-A,ZhongHaiXin Technology Park,Ganli Road,Lilang Avenue,Buji,Shenzhen
518112,China

Store Humidity	20%-95%
Working Temperature	-10℃-+50℃
Working Humidity	20%-80%
Dimension(L* W * H)	220mm×144mm×159mm
Weight	1.7kg
Usage	Indoor only

Accessory	
Package	Power supply,RS232 control cable, USB3.0 cable ,Remote controller, User manual
Optional Accessories	Ceiling / Wall Mount (Extra Cost)

Dimension: (unit: mm)



Phone:+86-17771843647

Tel:+86-755-33288582

E-mail:claire@mingricctv.com

Web:www.minrraycam.com

Address: 5&6 Floor,Building 13-A,ZhongHaiXin Technology Park,Ganli Road,Lilang Avenue,Buji,Shenzhen 518112,China